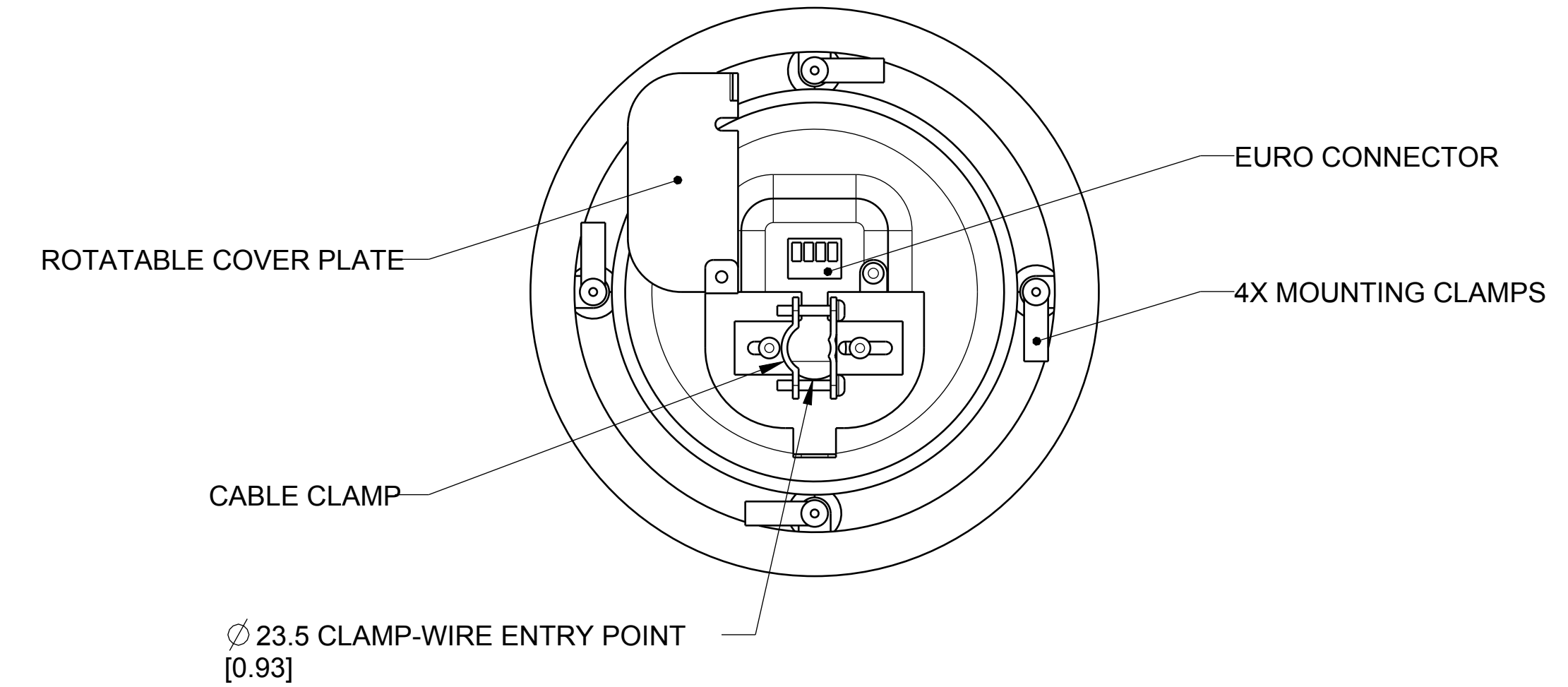
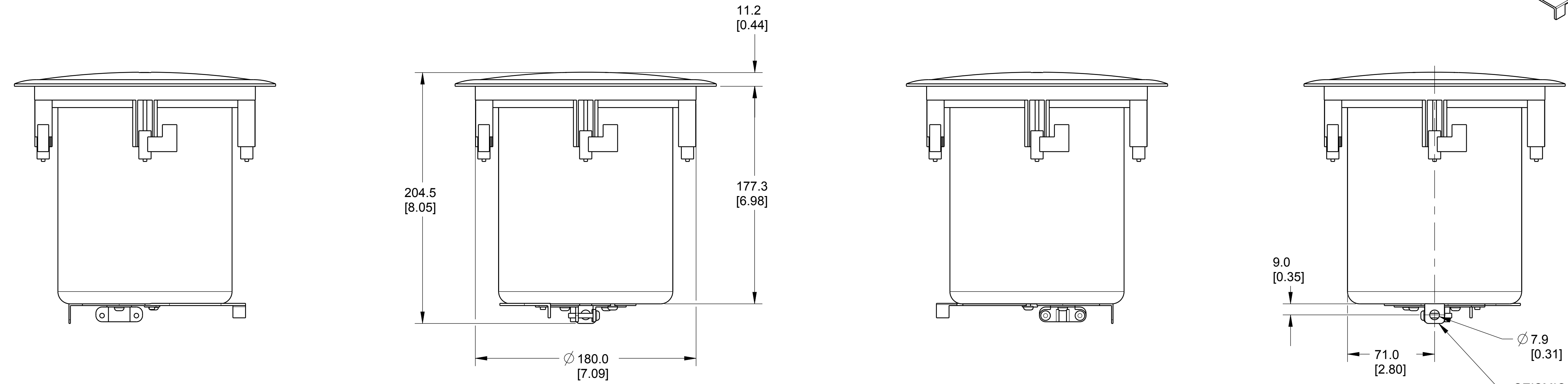
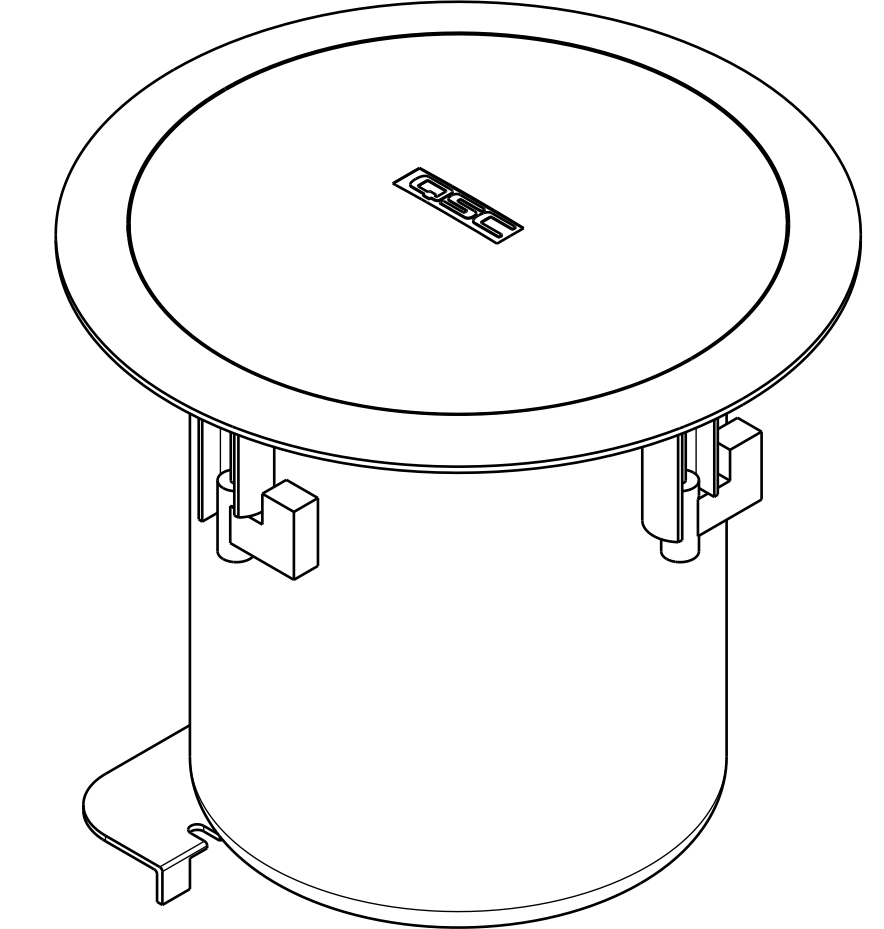
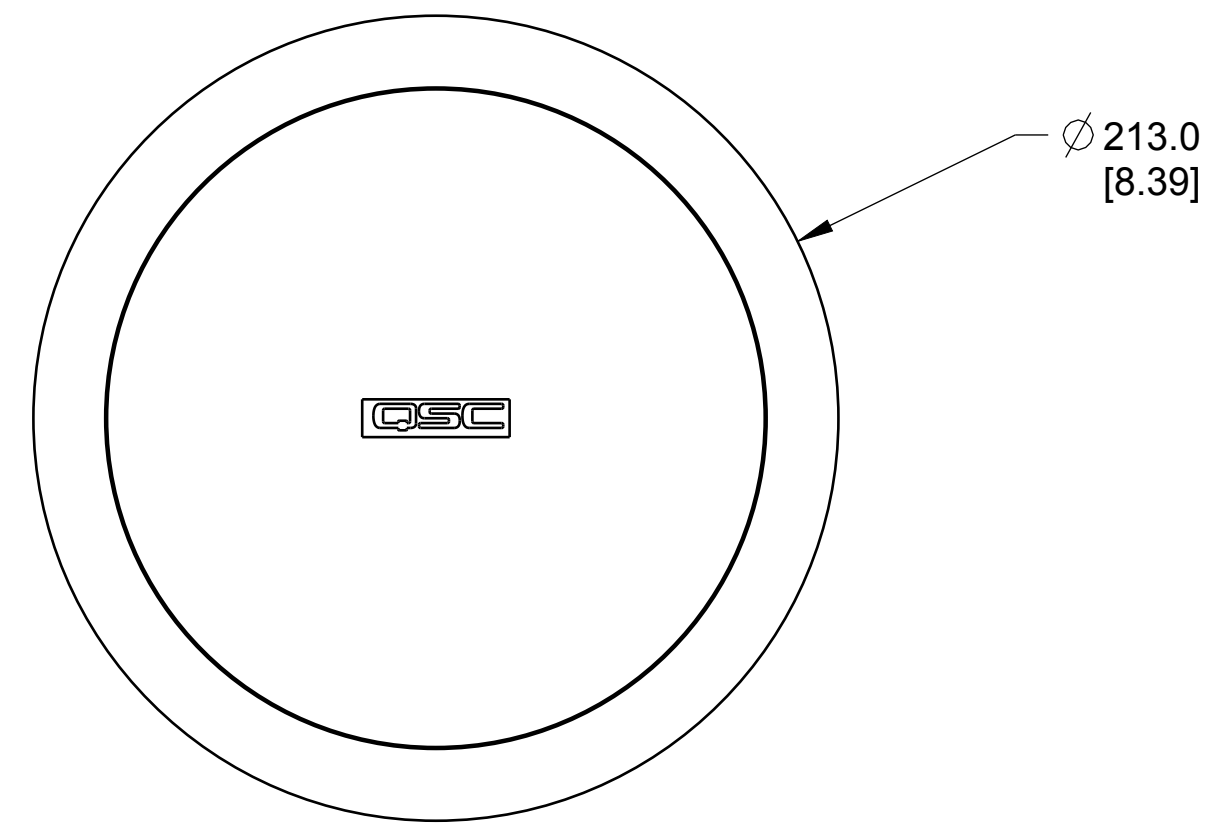


THIS DOCUMENT CONTAINS PROPRIETARY INFORMATION WHICH IS THE PROPERTY OF QSC, LLC. THAT MAY NOT BE DISCLOSED, REPRODUCED OR USED WITHOUT EXPRESS WRITTEN CONSENT FROM QSC, LLC.

REVISIONS			
REV	DESCRIPTION	BY	DATE
A	RELEASE FOR SALES AND MARKETING	ES	13-DEC-17



- 3. DIMENSIONS ARE IN MILLIMETERS [INCH].
- 2. TOLERANCES (MM): X ± 3, ANGLES: ± 1°.
- 1. NET WEIGHT APPROX. 1.91 KG [4.2 LBS].

NOTES: UNLESS OTHERWISE SPECIFIED.

UNLESS OTHERWISE SPECIFIED DIMENSIONS IN MILLIMETERS (IN) TOLERANCES ARE: DECIMALS    DECIMALS    ANGLES X± .5[.02]    X±.25[.01]    ± 1/2 DEBURR EDGES .25 [0.01] R MAX	DESIGNER	ENG. SERVICES	<b>QSC, LLC</b> 1675 MACARTHUR BOULEVARD COSTA MESA, CA 92626			
	ENGINEER					
	TECHNICAL DIRECTOR		<b>AC-C2T, FULL RANGE, CEILING MOUNT LOUDSPEAKER</b>			
	MANUFACTURING ENGINEER					
FINISH	DRAWING INFO:	FG-901165-2D.A.0	SIZE	CAGE CODE	DRAWING NO.	REV
	MODEL INFO:	FG-901165-3D.A.0	D	00PW4	FG-901165-2D	A
SCALE: 0.500			DO NOT SCALE DRAWING	SHEET		1 OF 1