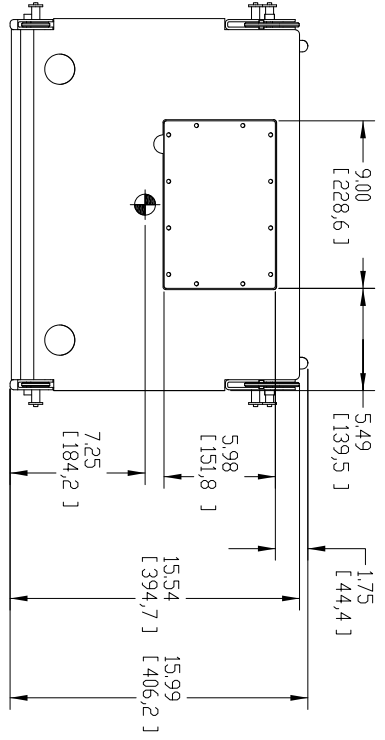
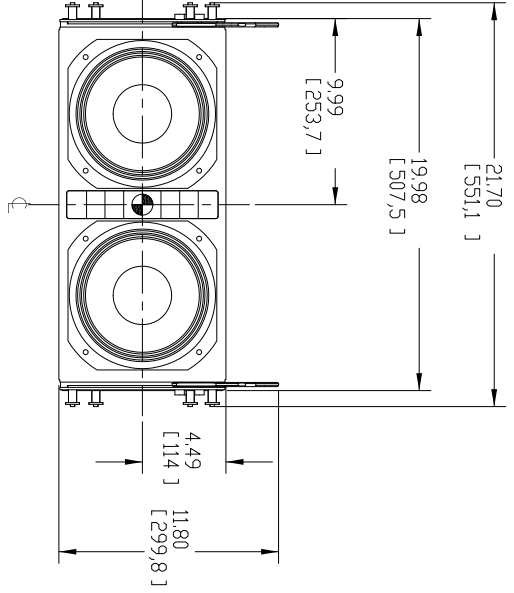
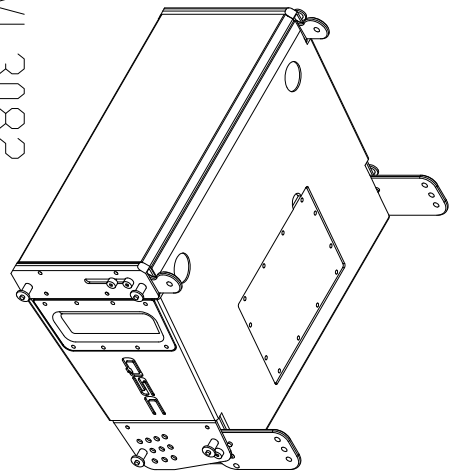


THIS DRAWING CONTAINS PROPRIETARY INFORMATION AND IS THE PROPERTY OF QSC AUDIO PRODUCTS, INC. IT IS TO BE USED ONLY FOR THE PROJECT AND FOR THE CLIENT'S USE ONLY. IT IS NOT TO BE REPRODUCED OR TRANSMITTED IN ANY FORM OR BY ANY MEANS, ELECTRONIC OR MECHANICAL, INCLUDING PHOTOCOPYING, RECORDING, OR BY ANY INFORMATION STORAGE AND RETRIEVAL SYSTEM, WITHOUT THE WRITTEN PERMISSION OF QSC AUDIO PRODUCTS, INC.

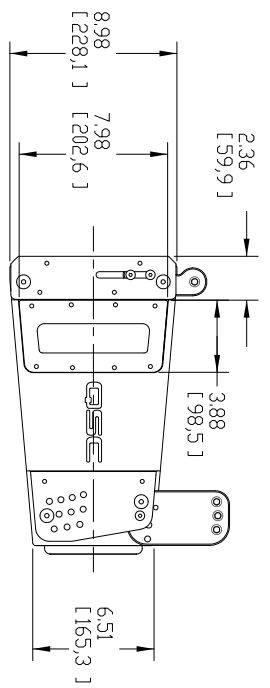


TOP

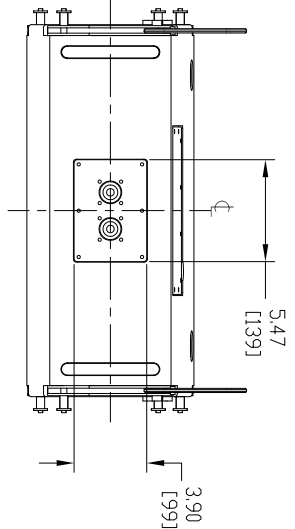
WL3082



FRONT



RIGHT



REAR

1. NET WEIGHT APPROX. 38 LBS (17.3 KG).
2. TOLERANCES (INCHES): .XX ± .13, ANGLES: ± 1°.
3. SYMBOL INDICATES CENTER OF BALANCE.
4. SYMBOL INDICATES SUSPENSION POINT, Ø .32".
5. PARTS ARE SYMMETRICAL ABOUT CENTER LINES UNLESS OTHERWISE NOTED.

NOTE: UNLESS OTHERWISE SPECIFIED

UNLESS OTHERWISE SPECIFIED DIMENSIONS ARE IN INCHES.		TOLERANCES ARE:		DECIMALS		ANGLES	
				XX ± .00		1/2	
				XX ± .00		3/16	
				DEBURR EDGES .010 R MAX			
FINISH		NONE		MATERIAL		NONE	
DOWEL PINS		NONE		CHECKED		B. HAWKINS	
DRAWN		J. DELARM		DATE		27-Mar-07	
APPROVALS				DATE			
DESIGNED		D. DELARM		DATE		27-Mar-07	
CHECKED		A. RUTKIN		DATE		27-Mar-07	
MKT				DATE			
CONTRACT NO.		RD-000441-02-REV1A.0		SCALE		0.200	
QSC AUDIO PRODUCTS, INC.		1675 MACARTHUR RD. LIVERMORE, CA 94550		SHEET		1 OF 1	
SPEAKER, FINISHED, WL3082		RD-000441-01		REV		A	
DWG. NO.		RD-000441-01		SH		1	
REV		A		SHEET		1 OF 1	