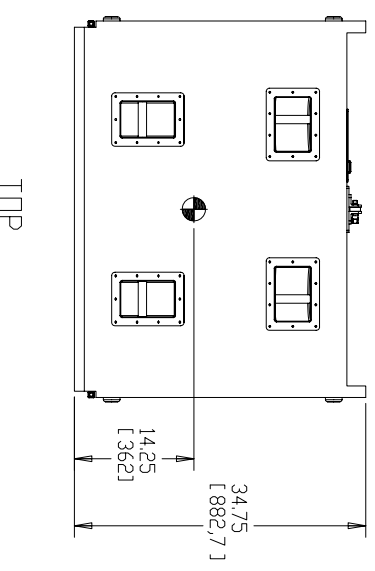


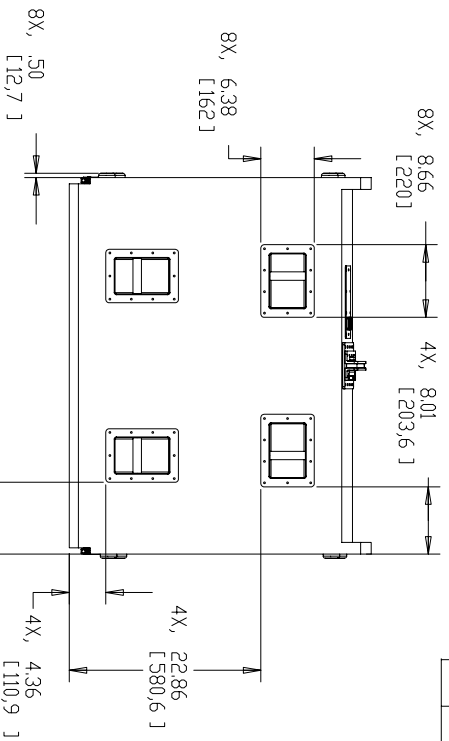
THIS DOCUMENT CONTAINS PROPRIETARY INFORMATION AND IS NOT TO BE REPRODUCED OR TRANSMITTED IN ANY FORM OR BY ANY MEANS, ELECTRONIC OR MECHANICAL, INCLUDING PHOTOCOPYING, RECORDING, OR BY ANY INFORMATION STORAGE AND RETRIEVAL SYSTEM, WITHOUT THE WRITTEN PERMISSION OF QSC AUDIO PRODUCTS, INC.

REV	DESCRIPTION	EFF DATE	CHK	APPROVED DATE
A	RELEASE PER ECD 7402 JD	09-01-06		B.H.

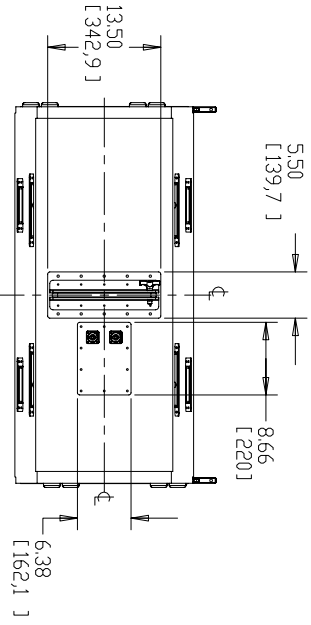
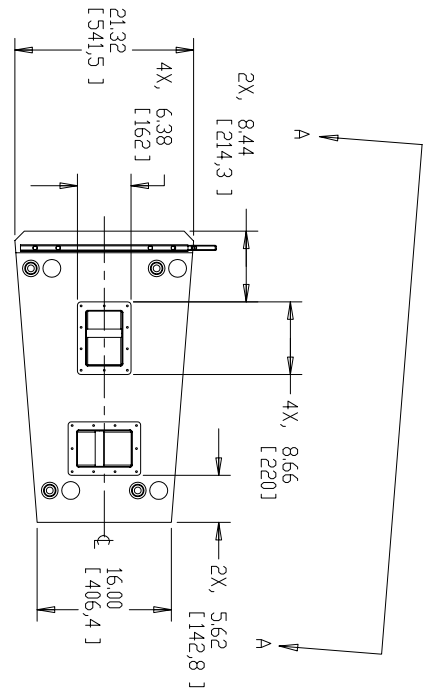
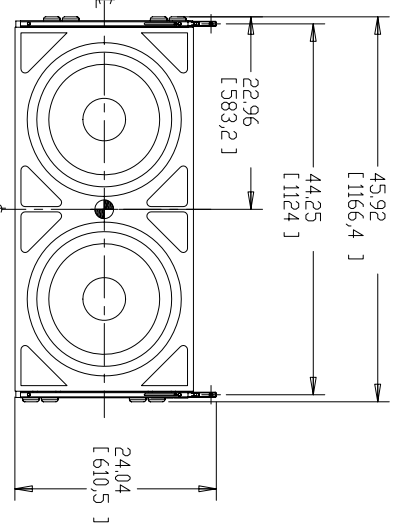
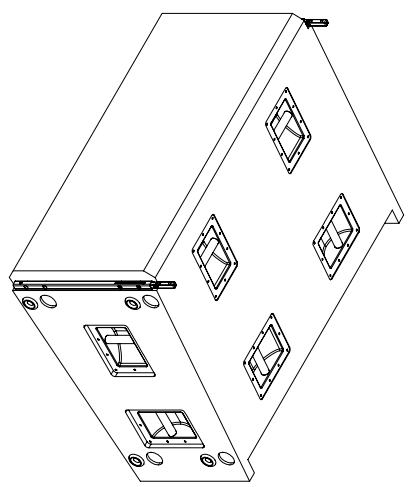
REVISIONS



VIEW A-A ROTATED
COUNTER CLOCKWISE 95°



WL218-SW



1. NET WEIGHT APPROX. 204 LBS (92.5 KG).
2. SHIPPING WEIGHT APPROX. 244 LBS (110 KG), INCLUDES DOLLY.
3. TOLERANCES (INCHES): XX ± .13, ANGLES: ± 1°.
4. SYMBOL INDICATES CENTER OF BALANCE.
5. SYMBOL INDICATES SUSPENSION POINT, φ .34".
6. PARTS ARE SYMMETRICAL ABOUT CENTER LINES UNLESS OTHERWISE NOTED.

NOTE: UNLESS OTHERWISE SPECIFIED

DINNESS OTHERWISE SPECIFIED DIMENSIONS ARE IN INCHES.		TOLERANCES ARE		ANGLES	
DECIMALS	FRACTIONS	±.00	±1/2		
XX ±.00	XXX ±.00				
FINISH: NONE					
MATERIAL: NONE					
CONTRACT NO.					
APPROVALS		DATE		DRAWING NO.	
DRAWN BY: DELARM		31-AUG-06		RD-000398-01	
CHECKED BY: A. RUTKIN		31-AUG-06		RD-000398-01	
ISSUED BY: D. DELARM		31-AUG-06		RD-000398-01	
SCALE: 0.090		SHEET: 1 OF 1		REV: A	

QSC
QSC AUDIO PRODUCTS, INC.
1675 MACARTHUR BOULEVARD
COSTA MESA, CA 92626

SPEAKER, FINISHED, WL218-SW