

V2-215S DUAL 15-INCH SUBWOOFER SYSTEM



SPECIFICATIONS

Loudspeaker Type:	Dual driver subwoofer, rectangular, vented bass
Operating Range:	37 Hz to 2000 Hz (-10 dB)
Frequency Response:	50 Hz to 1000 Hz (-3 dB)
Max Input Ratings:	400W continuous, 1000W program 40 volts RMS, 80 volts momentary peak
Sensitivity (1W/1m):	97 dB (50 Hz to 200 Hz) half space
Maximum Output:	123 dB SPL / 129 dB SPL (peak)
Nominal Impedance:	4 ohms
Minimum Impedance:	3.3 ohms @ 130 Hz
Nominal -6dB Beamwidth:	360° H x 180° V
Recommended Signal Processing:	35 Hz, 24 dB/octave high pass filter
Drivers:	LF 2 x 15-inch
Driver Protection:	DYNA-TECH protection circuitry
Input Connection:	NL4-compatible locking connector with terminal strip in parallel
Controls:	None
Enclosure:	18mm, 11-ply cross-laminated birch
Mounting/Rigging Provisions:	8 x M10 threaded rigging fittings
Finish:	Catalyzed polyester two-part paint, black or white
Grille:	Powder coated steel, black or white finish
Required Accessories:	None
Supplied Accessories:	Rubber feet, black (4) Built-in Ergo-Grip™ handles (4)
Optional Accessories:	M10EYBLTKIT 10mm eyebolt kit STKIT seat track kit
Dimensions—Height:	18.4 inches (468 mm) - not including feet
Width:	37.4 inches (950 mm)
Depth:	20.4 inches (518 mm)
Weight:	94 lbs (42.6 kg)
Model Options:	V2-215SB (black finish) V2-215SW (white finish)

NOTES:

1. Sensitivity: Free field pink noise measurement at 6ft (1.8m) at 10% power; extrapolated to 1 meter and an input of 2.83 volts RMS.
2. Watts: All wattage figures are calculated using the rated nominal impedance.
3. Sensitivity: Subwoofers measurements are performed half-space.



APPLICATIONS

- Nightclubs
- Concerts
- Bars and restaurants
- Houses of worship
- Theaters
- Themed attractions
- AV rental

FEATURES

- DYNA-TECH™ driver protection circuitry
- Patented Cool-Coil™ heat evacuation technology to minimize cone driver power compression
- Eight M10 threaded rigging fittings (four on each end panel)
- Built-in Ergo-Grip™ handles (two on each end panel)
- Terminal strip and NL4-compatible connectors
- Available in standard black or white finishes

DESCRIPTION

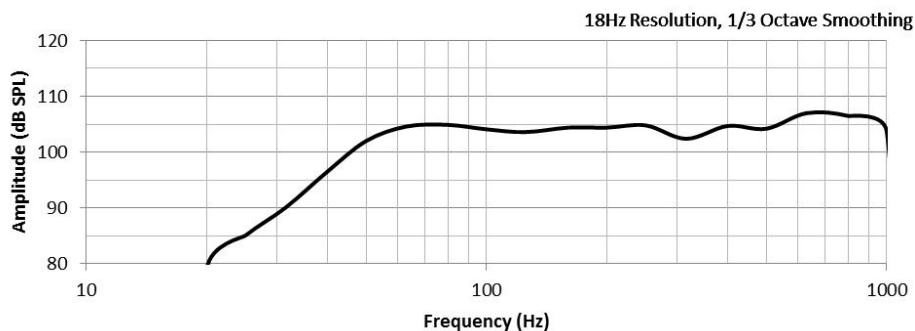
The high output V2-215S is a dual-driver subwoofer system designed to augment and extend the low frequency output of any VERIS 2 full-range loudspeaker system, achieving the high impact and depth of response needed for larger venues. It is characterized by deep, dramatic bass and a fast transient response. Powerful and low in distortion, the V2-215S produces authoritative low frequency output and can handle almost any musical style with ease. Solidly constructed of 18mm, 11-ply cross-laminated birch plywood, this subwoofer provides an accurate acoustic response uncolored by enclosure resonance.

The enclosure may be suspended from its M10 threaded rigging points, or simply located on the floor. As with all subwoofers, a corner placement is recommended when possible, in order to take advantage of the acoustical boundary effect for the highest possible efficiency. The V2-215S includes Community's exclusive DYNA-TECH™ driver protection circuitry to protect against abusive operating conditions, and also features Community's patented Cool-Coil™ heat evacuation technology to minimize cone driver power compression and ensure long-term reliability.

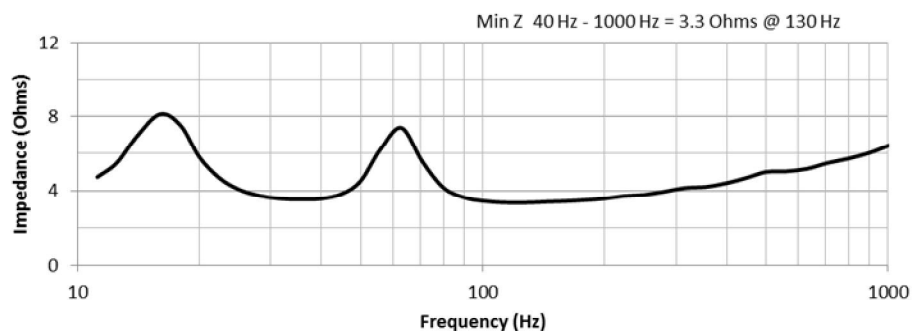
V2-215S DUAL 15-INCH SUBWOOFER SYSTEM



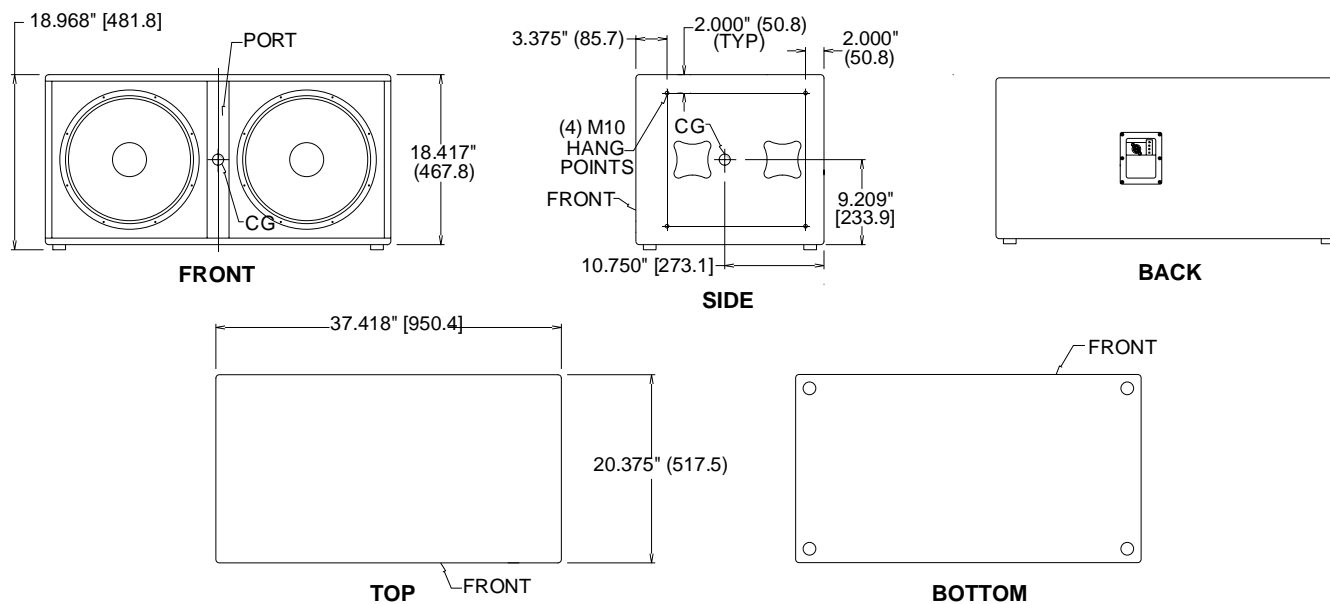
FREQUENCY RESPONSE



IMPEDANCE



DIMENSIONS



ARCHITECTURAL SPECIFICATIONS

The loudspeaker system shall be a low frequency, rectangular, vented bass, dual 15-inch driver subwoofer. There shall be an NL4-compatible locking connector with terminal strip in parallel. The loudspeaker enclosure shall be constructed of 18mm, 11-ply cross laminated birch with a perforated steel grille and shall be fitted with eight M10 flying/rigging inserts, four (4) on each end panel. The system shall have an amplitude response of 37 Hz to 2000 Hz (-10 dB) and input capability of 40V RMS. The sensitivity at 1W/1m shall be 97 dB between 50 Hz to 200 Hz (half-space) at a nominal 4 ohm impedance. The nominal dispersion shall be 360° H x 180° V over its usable frequency range. The dimensions of the enclosure are defined as 18.4 in. (468 mm) H x 37.4 in. (950 mm) W x 20.4 in. (518 mm) D at a weight of 94 lbs (42.6 kg).

Community strives to improve its products on a continual basis. Specifications are therefore subject to change without notice.