

M-62(W)G2 / M-62A(W)G2 / M-62 100V(W)G2

6" Two way passive installation loudspeaker (vented)

M-62(W)G2 全方位安装音箱是M-42(W)G2 的放大款，有着更大的功率及更佳的音质；独立使用也有杰出的性能，产品描述及使用可参考M-42(W)G2。白色款可选。

M-62A(W)G2 是完美的有源监听设备，适用于多种应用范围，箱体内置50W功放并含有自动启动模式，若3分钟内无信号输入则自动进入待机状态。白色款可选。

M-62 100V(W)G2 是定压款，内置25W变压器，4档可调。智能化的SMB铝支架确保了最佳的安装灵活性及角度可调性。白色款可选。

M-62 is just like the big, strong brother of the M-42(W)G2. It offering higher power capacity and better sound quality, As well as being used independently, the M-62(W)G2 can also manifest excellent performance. White colour is available.

M-62A(W)G2 is perfect active monitor for many applications. The 50W RMS powered cabinet has a built in Auto Power Mode which will go after 3 minutes without any signal into the standby mode. White colour is available.

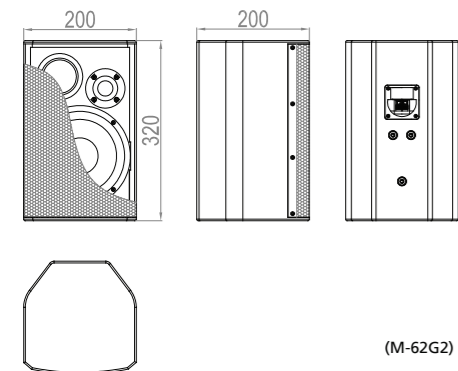
M-62A 100V(W)G2 with built in 25W transformer, adjustable in 4 steps. Installation is ensured by the included SMB(Smart-Mounting-Bracket). White colour is available.



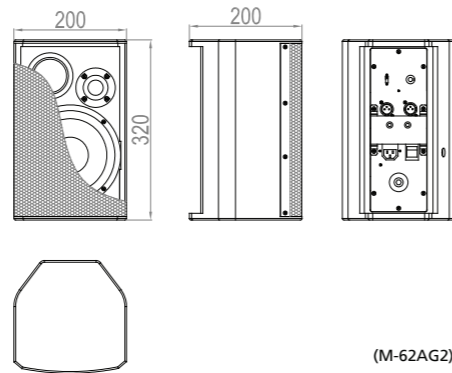
1 应用领域 Application

- 咖啡厅 Cafes
- 小餐馆 Bistros
- 小型会议 Small-scale meeting
- 时装店 Fashion shop

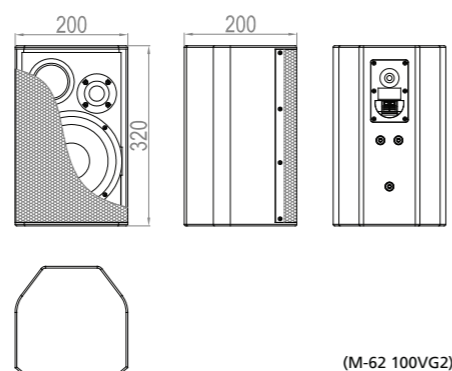
2 结构图 Structural diagram



(M-62G2)



(M-62AG2)



(M-62 100VG2)

3 参数规格 Specification

型号名称:	M-62(W)G2	M-62A(W)G2	M-62 100V(W)G2
类型:	6"无源二分频音箱(倒相式)	6"有源二分频音箱(倒相式)	6"定压二分频音箱(倒相式)
频率范围(-6 dB):	55 Hz - 20 kHz	55 Hz - 20 kHz	55 Hz - 20 kHz
功率(额定/峰值) (AES):	80 W / 130 W	50 W	80 W / 130 W
灵敏度(1 W / 1 m):	87 dB	N / A	87 dB
最大声压级(1 m):	108 dB	107 dB	108 dB
阻抗:	16 Ω	N / A	100 V
指向角度 (H × V):	60° × 60°	60° × 60°	60° × 60°
低音单元:	6"铁氧体单元, 1"音圈	6"铁氧体单元, 1"音圈	6"铁氧体单元, 1"音圈
高音单元:	钕磁丝膜单元, 1"音圈	钕磁丝膜单元, 1"音圈	钕磁丝膜单元, 1"音圈
输入 / 输出接口:	夹式连接	输入: XLR / 6.3 mm jack, 输出: XLR	夹式连接
吊挂系统:	3个M6吊挂点	3个M6吊挂点	3个M6吊挂点
箱体材料 / 喷漆:	12 mm MDF / PU撒点漆	12 mm MDF / PU撒点漆	12 mm MDF / PU撒点漆
尺寸(W × H × D):	200 × 320 × 200 mm	200 × 320 × 200 mm	200 × 320 × 200 mm
净重:	4.5 kg	5.5 kg	5 kg
可选附件:	见附件页面	见附件页面	见附件页面

Model:	M-62(W)G2	M-62A(W)G2	M-62 100V(W)G2
Type:	6" two way passive loudspeaker (vented)	6" two way active loudspeaker (vented)	6" two way constant-voltage loudspeaker (vented)
Frequency response (-6 dB):	55 Hz - 20 kHz	55 Hz - 20 kHz	55 Hz - 20 kHz
Power output (RMS / Peak) (AES):	80 W / 130 W	50 W	80 W / 130 W
Sensitivity (1 W / 1 m):	87 dB	N / A	87 dB
MAX SPL (1 m):	108 dB	107 dB	108 dB
Impedance:	16 Ω	N / A	100 V
Dispersion (H × V):	60° × 60°	60° × 60°	60° × 60°
LF Transducer:	6" ferrite magnet, 1" voice coil	6" ferrite magnet, 1" voice coil	6" ferrite magnet, 1" voice coil
HF Transducer:	Neodymium magnet, 1" voice coil	Neodymium magnet, 1" voice coil	Neodymium magnet, 1" voice coil
Input interface:	Clamp connection	Input: XLR / 6.3 mm jack, Output: XLR	Clamp connection
Rigging system:	3x M6 rigging points	3x M6 rigging points	3x M6 rigging points
Cabinet material / Coating:	12 mm MDF / PU texture coating	12 mm MDF / PU texture coating	12 mm MDF / PU texture coating
Dimensions (W × H × D):	200 × 320 × 200 mm	200 × 320 × 200 mm	200 × 320 × 200 mm
Net weight:	4.5 kg	5.5 kg	5 kg
Available accessory:	See accessories page	See accessories page	See accessories page